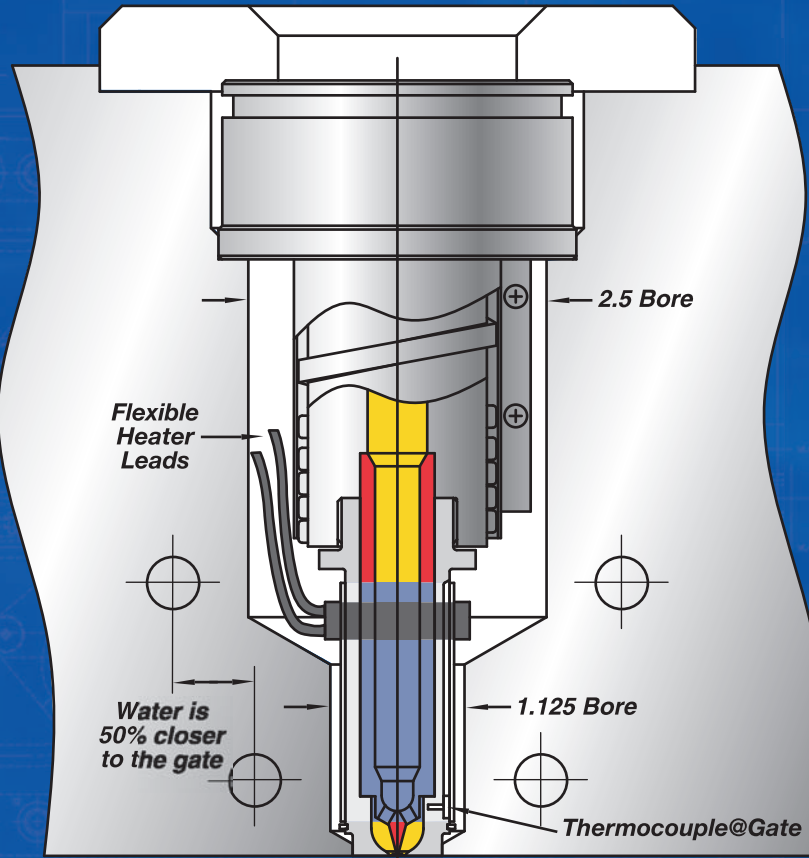


RUNNERLESS MOLDING SYSTEMS

ISO 9001 Registered

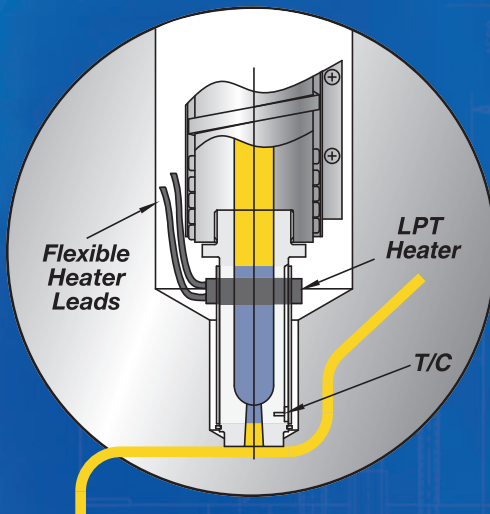
Cost Saving Benefits

- ◆ Faster Cycle Times
- ◆ Better Gate Cosmetics
- ◆ More Gate Location Possibilities
- ◆ More Robust Steel Conditions
- ◆ Strategic T/C Location for Excellent Control of the Gate
- ◆ Replaceable Heater, Tip, and T/C are Field Serviceable



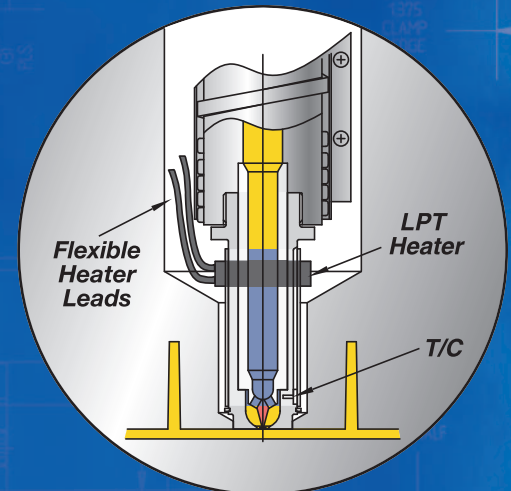
Innovative Features

- ◆ Low Profile/High Output Tip Design
- ◆ State of the Art Thick Film Heater Technology
 - Low Profile, High Performance, Even Heat Distribution
 - Consistent Fit and Performance Heater to Heater
 - Molded in Flexible Heater Leads



Engineered for Limitless Applications

- ◆ Automotive
- ◆ Appliance
- ◆ Lawn and Garden
- ◆ Electrical
- ◆ Connectors
- ◆ Houseware
- ◆ Consumer Products
- ◆ Toys



LPT Low Profile Tip Series

2.875
PROBE
PROTRUSION

U-22051000

1375
NOZZLE
PLATE

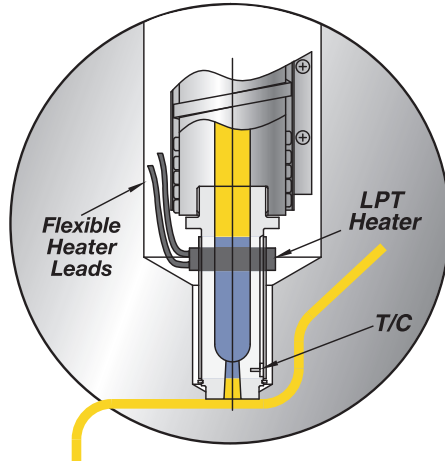
OSCO 's LPT Low Profile Tip

The LPT Series can be applied to any in the family of Osco Runnerless Systems:

- ◆ HSN Hot Sprue Nozzle System
- ◆ CVT Manifold Application Mold Nozzle System
- ◆ VGN Valve Gate Nozzle System
- ◆ SCV Self Contained Single Valve Gate Nozzle System
- ◆ DSV Dual Flow Valve Gate Nozzle System, Manifold or Direct Feed
- ◆ FCN Flow Control Nozzle System

LPT Tips are available in three styles.

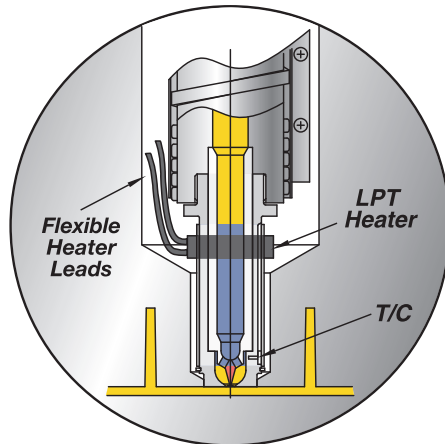
LPT ABSOLUTE FLOW TIP



Absolute Flow "AF" Style Tip:

Designed to feed the part or runner with an unrestricted channel and to be used where a small sprue is permissible.

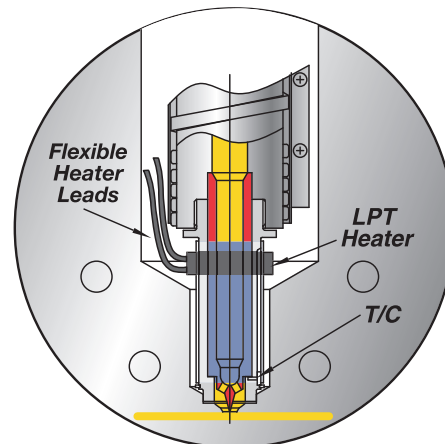
LPT FULL BODY TIP



Full Body "FB" Style Tip:

Designed to be used where a low vestige is required and the nozzle circular mark is allowed.

LPT BODY LESS TIP



Body Less "BL" Style Tip:

To be used where a low vestige is required and the typical circular mark is **not** allowed.

For More Information Please Contact Osco @ 1-800-499-OSCO